

Sanford Creek Elementary School

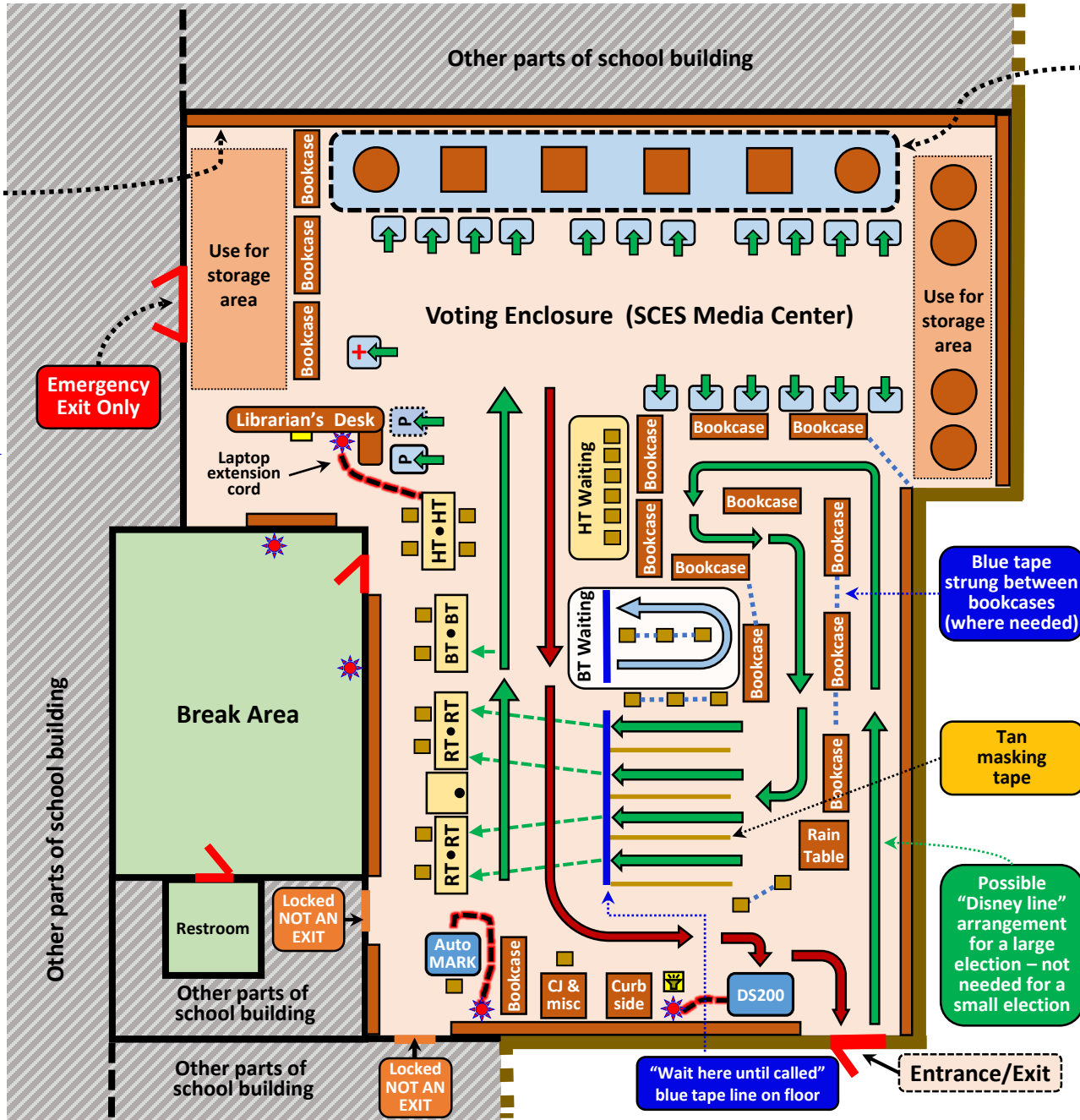
(Precinct 19-19)

Bookcases built into wall
Other (6'x2'x4') bookcases are on wheels

Electric outlet symbol
(not all outlets are shown)

Voting Enclosure approximate dimensions
length: 73 ft
top-width: 66 ft
bot-width: 42 ft

This is a schematic;
proportions are close but not exact



For a large election, provide many voting booths including SCES extra tables (with chairs)

Use for storage area

Blue tape strung between bookcases (where needed)

Tan masking tape

Possible "Disney line" arrangement for a large election – not needed for a small election



Main Parking

Other parts of school building

Other parts of school building

Other parts of school building

Other parts of school building

Other parts of school building

Voting Enclosure (SCES Media Center)

Emergency Exit Only

Librarian's Desk

Laptop extension cord

Break Area

Restroom

Locked NOT AN EXIT

Auto MARK

CJ & misc

Curbside

DS200

"Wait here until called" blue tape line on floor

Entrance/Exit

Use for storage area

Use for storage area

Bookcase

Bookcase

Bookcase

Bookcase

Bookcase

Bookcase

Bookcase

Bookcase

Bookcase

Bookcase

Bookcase

Bookcase

Bookcase

Bookcase

Bookcase

Bookcase

Bookcase

Bookcase

Bookcase

Bookcase

Bookcase

Bookcase

Bookcase

Bookcase

Bookcase

Bookcase

Bookcase

Bookcase

Bookcase

Bookcase

Bookcase

Bookcase

Bookcase

Bookcase

Bookcase

Bookcase