

Sanford Creek Elementary School

(Precinct 19-19)

Some bookcases are built into walls
Other bookcases are on wheels

This is a schematic;
proportions are close but not exact

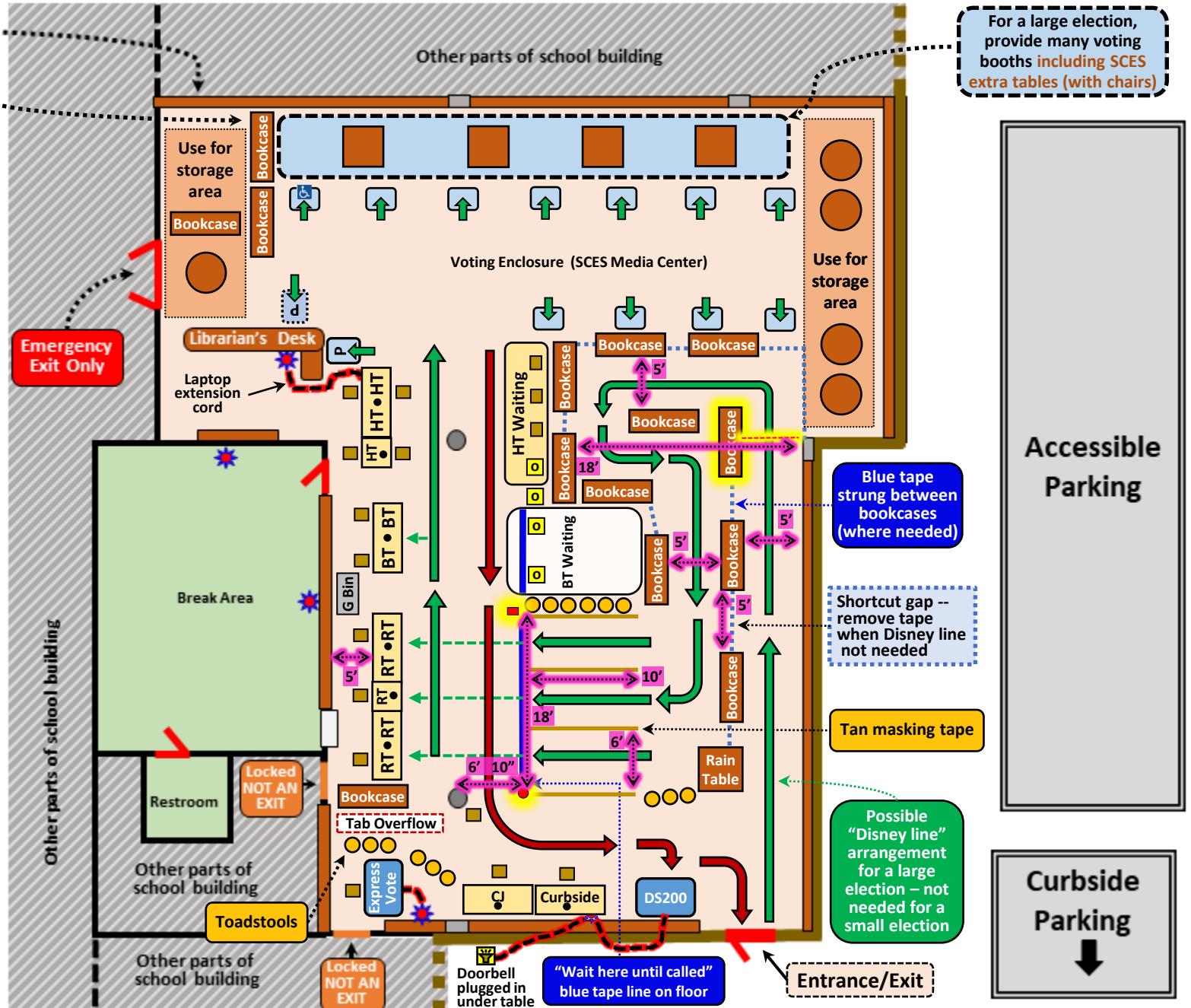
Voting Enclosure approximate dimensions:
length: 73 ft
top-width: 65 ft
bot-width: 42 ft

Wheeled bookcases: 73" x 24" x 47"
Large square tables: 42" x 42" x 31"
Long tables (1 hole): 72" x 30" x 31"
Small tables (1 hole): 30" x 30" x 32"
Round tables: 41" diam. x 25"

Electric outlet symbol (not all outlets are shown)

Observer chair symbol

For a large election, provide many voting booths including SCES extra tables (with chairs)



Main Parking →

Accessible Parking

Curbside Parking ↓

Emergency Exit Only

Use for storage area
Bookcase

Use for storage area

Voting Enclosure (SCES Media Center)

Librarian's Desk
Laptop extension cord

Break Area

Restroom

Toadstools

Tab Overflow

Express Vote

Doorbell plugged in under table

"Wait here until called" blue tape line on floor

Entrance/Exit

Blue tape strung between bookcases (where needed)

Shortcut gap -- remove tape when Disney line not needed

Tan masking tape

Possible "Disney line" arrangement for a large election -- not needed for a small election

Locked NOT AN EXIT

Locked NOT AN EXIT

Other parts of school building

Other parts of school building

Other parts of school building

Other parts of school building

Other parts of school building

Other parts of school building