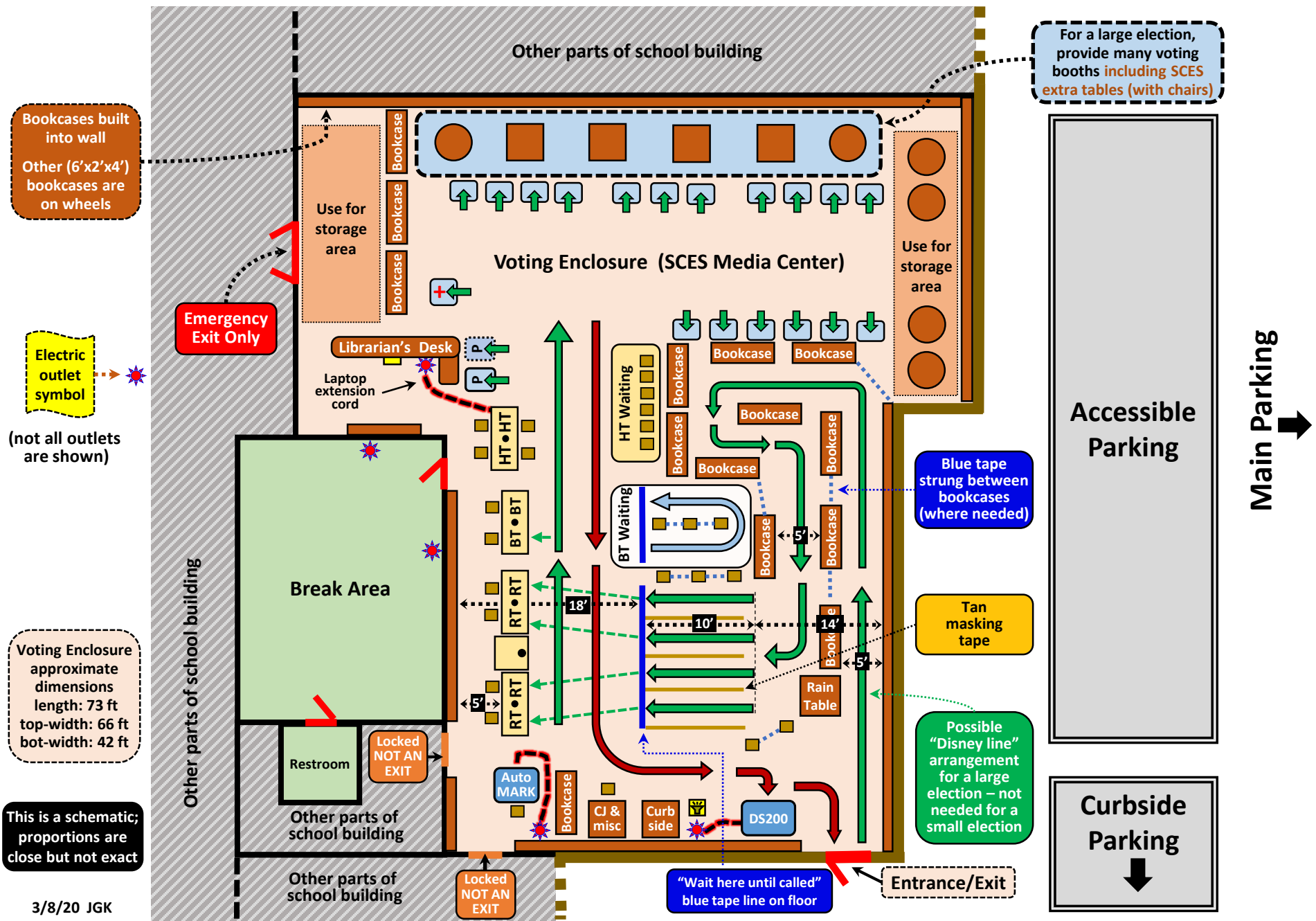


Sanford Creek Elementary School

(Precinct 19-19)



Bookcases built into wall
Other (6'x2'x4') bookcases are on wheels

Electric outlet symbol
(not all outlets are shown)

Voting Enclosure approximate dimensions
length: 73 ft
top-width: 66 ft
bot-width: 42 ft

This is a schematic; proportions are close but not exact

For a large election, provide many voting booths including SCES extra tables (with chairs)

Accessible Parking

Curbside Parking

Main Parking

Other parts of school building

Other parts of school building

Voting Enclosure (SCES Media Center)

Use for storage area

Use for storage area

Librarian's Desk
Laptop extension cord

HT • HT

BT • BT

RT • RT

RT • RT

Auto MARK

CJ & misc

Curb side

DS200

"Wait here until called" blue tape line on floor

Entrance/Exit

Emergency Exit Only

Locked NOT AN EXIT

Other parts of school building

Other parts of school building

Blue tape strung between bookcases (where needed)

Tan masking tape

Possible "Disney line" arrangement for a large election - not needed for a small election